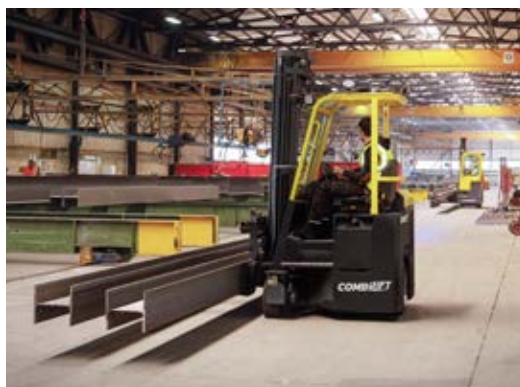


COMBi-CB

The innovative and compact Combi-CB is designed to increase productivity, improve safety and help increase your storage capacity both indoors & outdoors.

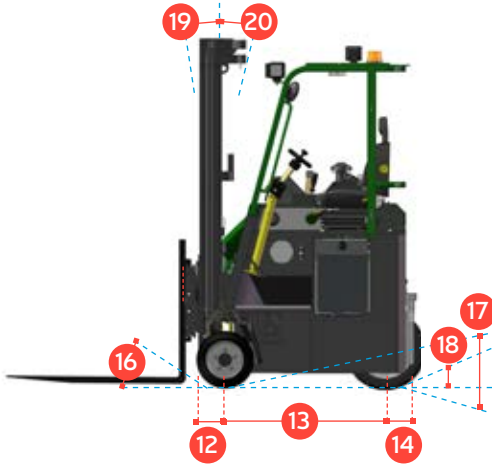
COMBiLiFT

LIFTING INNOVATION

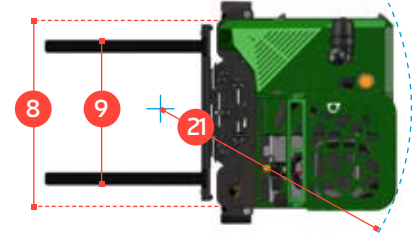
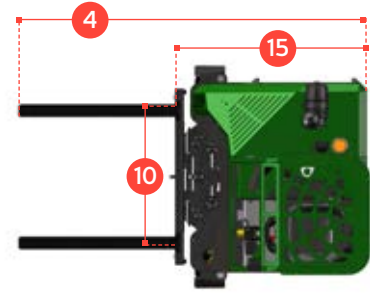
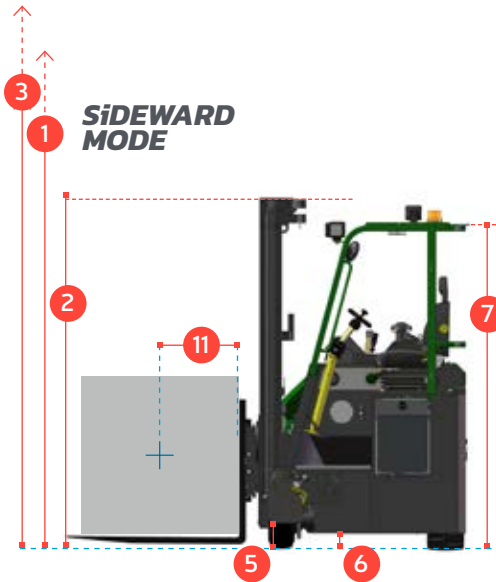


COMBi-CB

FRONTAL MODE



SiDEWARD MODE



REF.	DESCRIPTION	Std.	Optional		
1 a	Standard Lift Height	4000mm	4900mm	5500mm	6000mm
1 b	Free Lift Height	0mm	1318mm	1518mm	1683mm
2	Height Mast Closed	2670mm	2243mm	2443mm	2610mm
3	Max. (Mast raised)	4830mm	5778mm	6378mm	6878mm
4	Overall Length	2615mm			
5	Ground Clearance Under Mast	125mm			
6	Ground Clearance to Wheelbase Centre	100mm			
7	Height of Overhead Guard	2250mm			
8	Width	1500mm			
9	Outside Spread of Fork Arms	1325mm			
10	Track Front	1320mm			
11	Load Centre Distance	600mm			
12	Overhang Front	320mm			
13	Wheel Base	1100mm			
14	Overhang Back	140mm			
15	Length From Face of Fork	1550mm			
16	Approach Angle	30°			
17	Ramp Angle	15°			
18	Departure Angle	30°			
19	Forward Tilt	3°			
20	Backward Tilt	6°			
21	Minimum Outside Radius	1410mm			
A	Capacity	2500kg/3000kg			
B	Unladen Weight	6800 kg			
C	Maximum Ground Speed	14 Km/h			
D	Gradeability	10%			
E	V1505 Kubota Diesel / Toyota 4Y Engine LPG	32KW / 42KW			
F	Electrics	12 Volt			
G	Fork Section	125mm x 50mm x 1065mm			
H	16 x 7 – 10.5 Front Tyre x 2	OD 406mm / Width 178mm			
I	22 x 10 x 16 Rear Tyre x 1	OD 559mm / Width 254mm			
J	Standard Colour	Green and Grey			
K	Suspension Seat	Grammer MSG 65			

Multi-Directional



Features Include:

- Open Cabin
- Multi-Direction Operation
- Load Sensing Steering
- 3 Wheel Hydrostatic Drive
- +/- 100mm Sideshift
- 4-way lever positioning of Wheels

Distributed by:

rev. 1.1

Protected by Design Registration Copyright: European Community No.: 000725668-0001; US No.: D579, 624; Canadian No.: 123292 | Australian No.: 318370; Russian Federation No.: 70814 | Korean No.: 30-0516087; Japanese No.: 1330896; Taiwan No.: D126056; Chinese No.: ZL200730329732.6

COMBILIFT HAS A POLICY OF CONTINUOUS PRODUCT DEVELOPMENT AND RESERVES THE RIGHT TO ALTER SPECIFICATIONS WITHOUT PRIOR NOTICE. SPECIFICATIONS AND/OR DIMENSIONS MAY VARY FROM THOSE ILLUSTRATED IN SOME COUNTRIES.